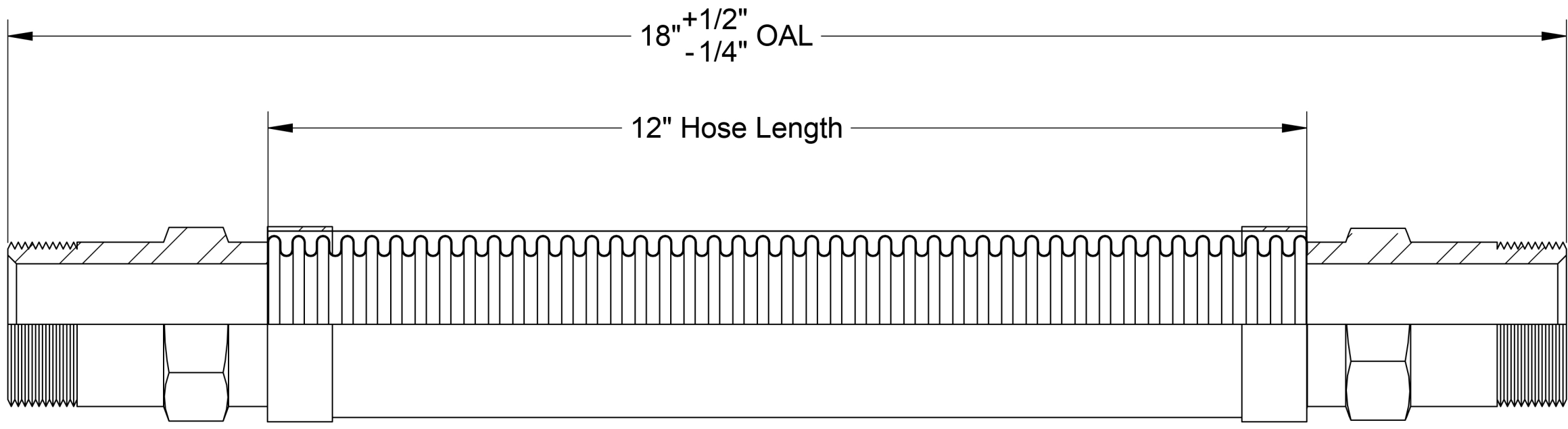
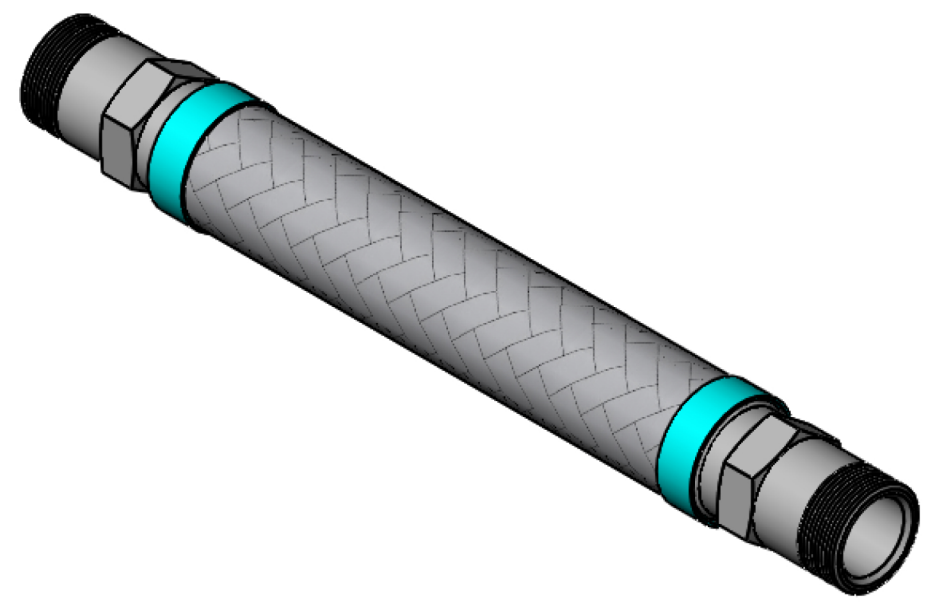


REVISIONS			
REV.	DESCRIPTION	DATE	APPROVED



ITEM #	QTY.	PART NUMBER	DESCRIPTION	MATERIAL	WEIGHT
1	1	HOSE	300 Series Stainless HYDROFORMED Corrugated Hose	Stainless Steel	0.52
2	1	BRAID	300 Series Stainless Steel	Stainless Steel	0.05
3	2	BRAID COLLAR	0.05" Thick	Stainless Steel	0.07
4	2	1.5" MALE	1.5" Male, 1-1/2"x11-1/2" Thread, 1.94" Hex	Carbon Steel	1.13



**HOSE MASTER Inc.**  
 1233 East 222nd Street • Cleveland, Ohio 44117  
 (800) 221-2319 • Fax: (216) 481-7557 • www.hosemaster.com  
 Locations: **Cleveland • Houston**

Registered to: ISO 9001 : 2000  
**NAHAD** Listed Manufacturer

Projection:	Customer: Hose Master Inc.	Prepared By: kannk
	Reference: Fire-Shield - 1.5" Male x 1.5" Male x 18" OAL	CALC. WEIGHT: 3 lbs. Date: 9/24/2009

Description: **1.5" ID x 18" OAL 300 Series Stainless HYDROFORMED Corrugated Hose covered by 300 Series Stainless Braid. UL Approved 1.5" Male Connectors**

Drawing #:	<b>FSMM0150x18</b>	Rev.:	-	SHEET 1 OF 1
------------	--------------------	-------	---	--------------

